

Air Saver Unit ASC/ASV Series

An easy solution to your environmental protection efforts!
The air saving unit contributes to power savings and CO2 reduction.

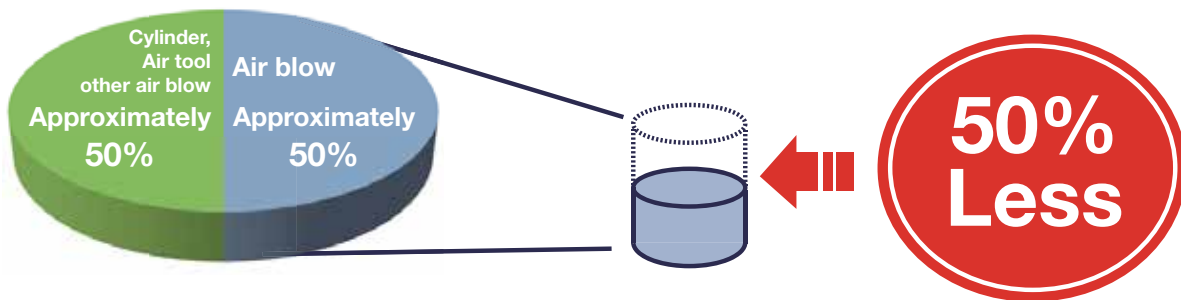


ASV2000



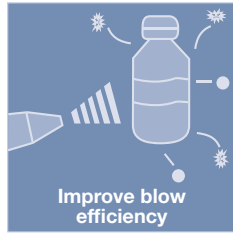
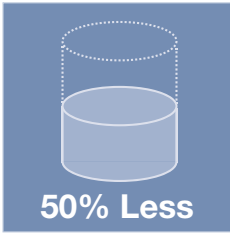
ASV5000

The air Saver Unit can reduce air consumption by up to 50% and improves blow efficiency in air blow applications.



Savings example (Using 100 ASC500, Unit 8 hours/day and 20 days)

Power Consumption	53,600kW / month	➡	26,800kW / month
CO₂ discharge	17 t	➡	8.5 t
Cost	EUR 7,000 / month	➡	EUR 3,500 / month



ASV200

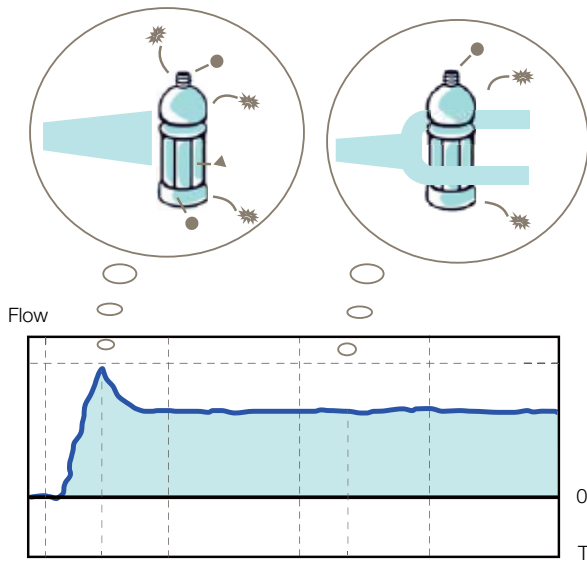


ASC/ASO500

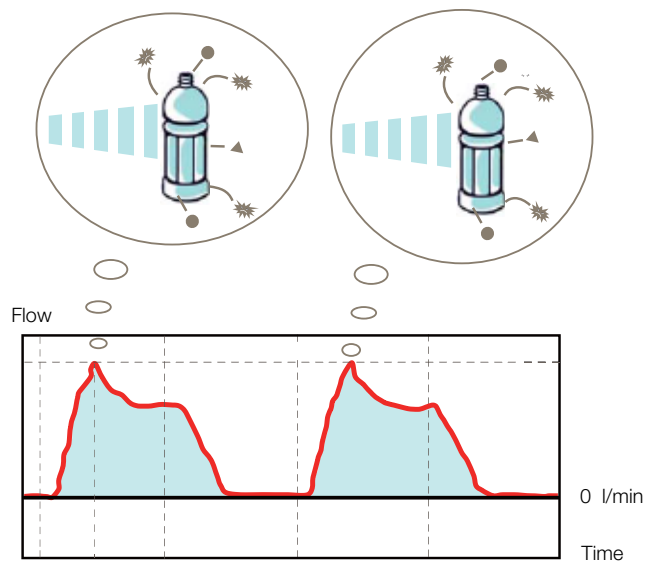
Pulsed air by Air Saver Unit reduces air consumption.

The Air saver unit is a valve that converts a continuous air blow to a pulsed air blow without the need for any other external control. Air is blown with a series of ON and OFF pulses. When the blow is OFF, there is no air consumption. This is how the air saver unit contributes to reduction in air consumption.

Continuous air blow



Pulsed air blow



Compared to continuous air blow, the pulsed air blow hits the work repeatedly, improving the efficiency of the air blow.

When an air saver unit is used, several positive effects can be expected. Air blow accounts for almost 50% of all compressed air used in plants. The air saver unit with a switching valve technology for air blow. Can reduce air consumption by up to 50% !

- Large reductions in plant air consumption.
- Savings in plant compressor power consumption.
- Reduction in plant CO₂ emissions.
- Big contribution to energy-saving activities.



Operating information

	ASV200	ASV2000	ASV5000	ASV13000	ASV15000	ASC500	ASO500
Function	Normally closed						Normally open
Fluid	Non lubricated air						
Flow l/min (ANR) (at 5 bar)	150	2000	5000	13000	15000	450	450
Port size (BSPP)	M5	3/8	1/2	1"	1 1/4"	1/8	1/8
Operating temperature	-5 to +50° C						
Pressure range (bar)	3 - 8	0 - 8				2 - 7	2 - 5
Pilot air supply (bar)	3 - 8	3 - 8				Internal pilot	
Blow	Pulse blow					Pulse/Continuous blow	
Rated voltage (V)	Electrical power is not necessary					DC 24 V	
Power consumption (W)						1.2 W	
Grade of Insulation						JIS grade E	
Permissible voltage fluctuation						± 10 %	
Wiring						e-CON standard 4 pole sockets	

- (1) In case of using the Unit under 5°C, complete dry air by air dryer shall be supplied to prevent from freezing.
 (2) Please note that supply air for port 1 should be more than 2 bar.
 (3) Please note that supply air for port 1 should be more than 3 bar.

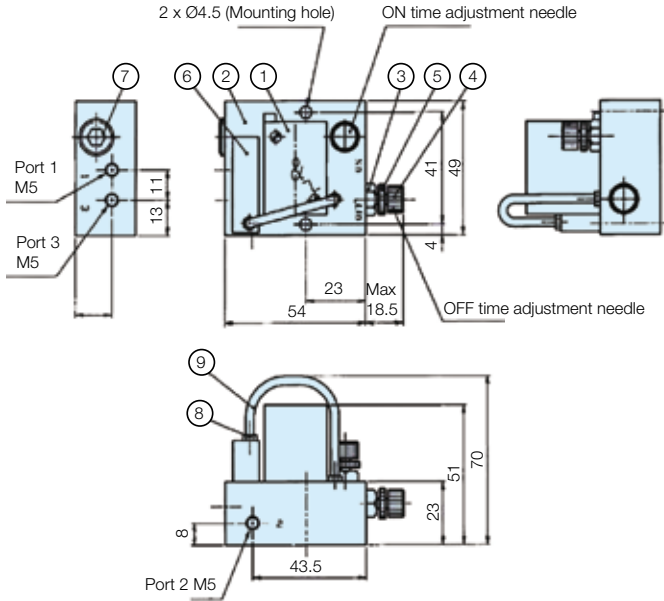
Order key

WP AS V 2000 - AA - 17

Grease	Type / Flow rate	Port Size
Blank Standard grease	200 2-position, internal air pilot / 200 liter/min	M5 M5 (ASV200 only)
WP Petrolatum grease (for painting applications.)	500 2-position, single solenoid / 500 liter/min	10 BSPP 1/8 (ASC/O500 only)
Series	2000 2-position, external air pilot / 2000 liter/min	17 BSPP 3/8 (ASV2000 only)
AS Air Saver Unit	5000 2-position, external air pilot / 5000 liter/min	21 BSPP 1/2 (ASV5000 only)
Operation method / Function	13000 2-position, external air pilot / 13000 liter/min	34 BSPP 1 (ASV13000 only)
V Pneumatic operated Normally Closed.	15000 2-position, external air pilot / 15000 liter/min	42 BSPP 1 1/4 (ASV15000 only)
C Electrical actuated. Normal Close. (ASC500 only)		Operation / Voltage
O Electrical actuated. Normal Open. (ASO500 only)		AA Pneumatic operated (WP)ASV200, 2000, 5000, ASV13000 and 15000
		1W Electrical operated 24VDC (ASC/O500)

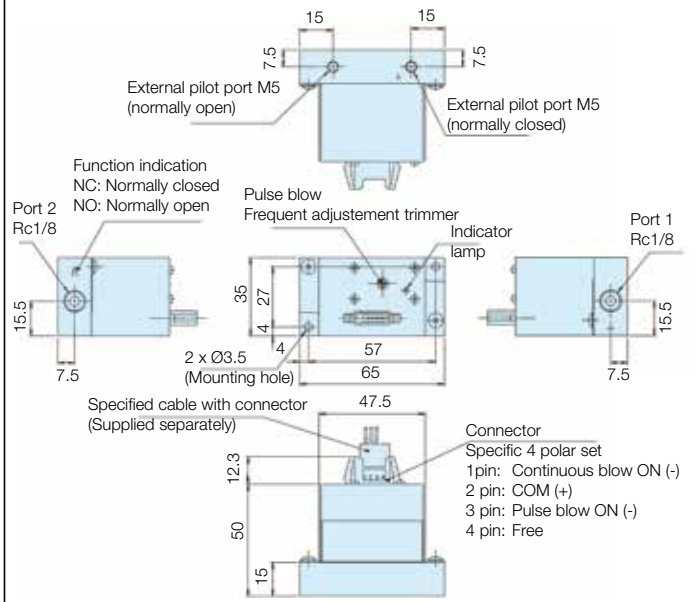
Note: Cable with e-CON connector (Model No. ASC-D24-CL10) will be ordered separately.

ASV200-AA-M5



Part name	Qty	Material treatment
1 PLN-D10	1	Assembly
2 Flicker base	1	Aluminium alloy
3 Cover	2	Brass
4 Needle	2	Aluminium alloy
5 Lock nut	2	Aluminium alloy
6 VCC232-NB-Z12-005	1	Assembly
7 Plug R1/4	1	Black oxide finish
8 BC-03-M3	2	Stainless
9 TN-3.2	8cm	Polyamide resin

ASC500-1W-10 / ASO500-1W-10

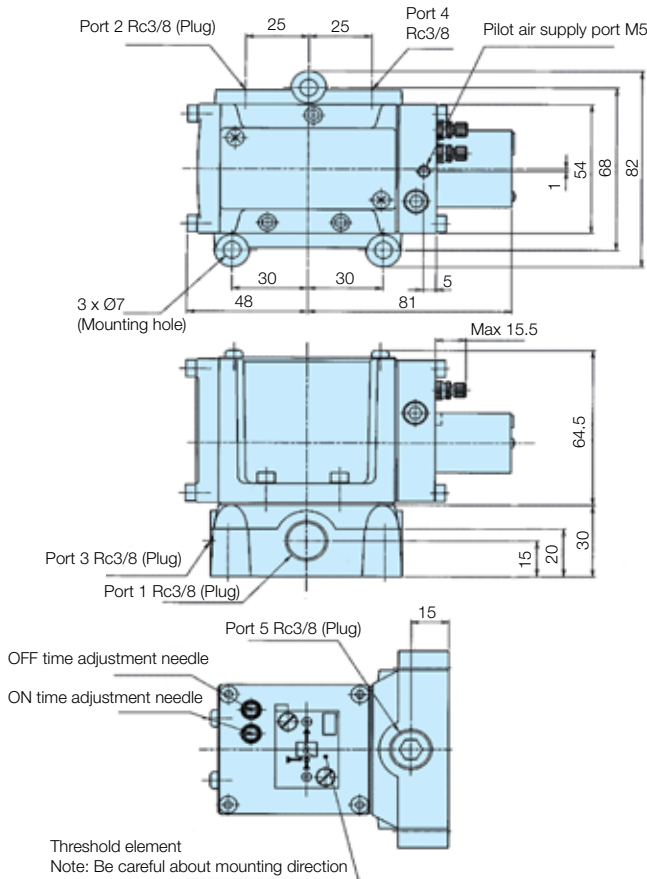


Pin no.	Colour
1	Black
2	Red
3	Yellow
4	(Free)

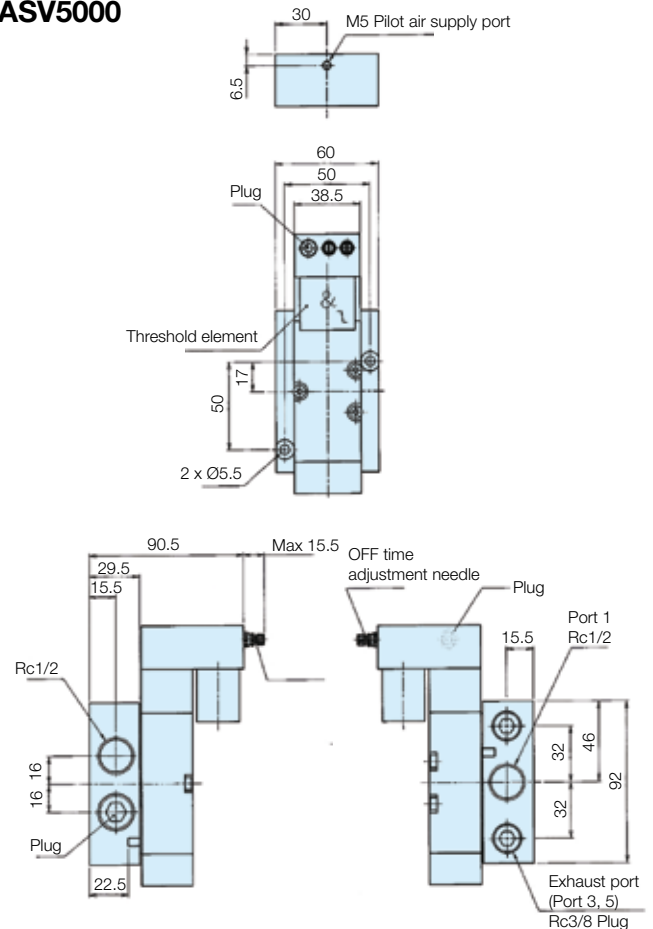


*Cable with specific connector "ASC-D24-CL10" (AWG26 ASC/ASO in common)

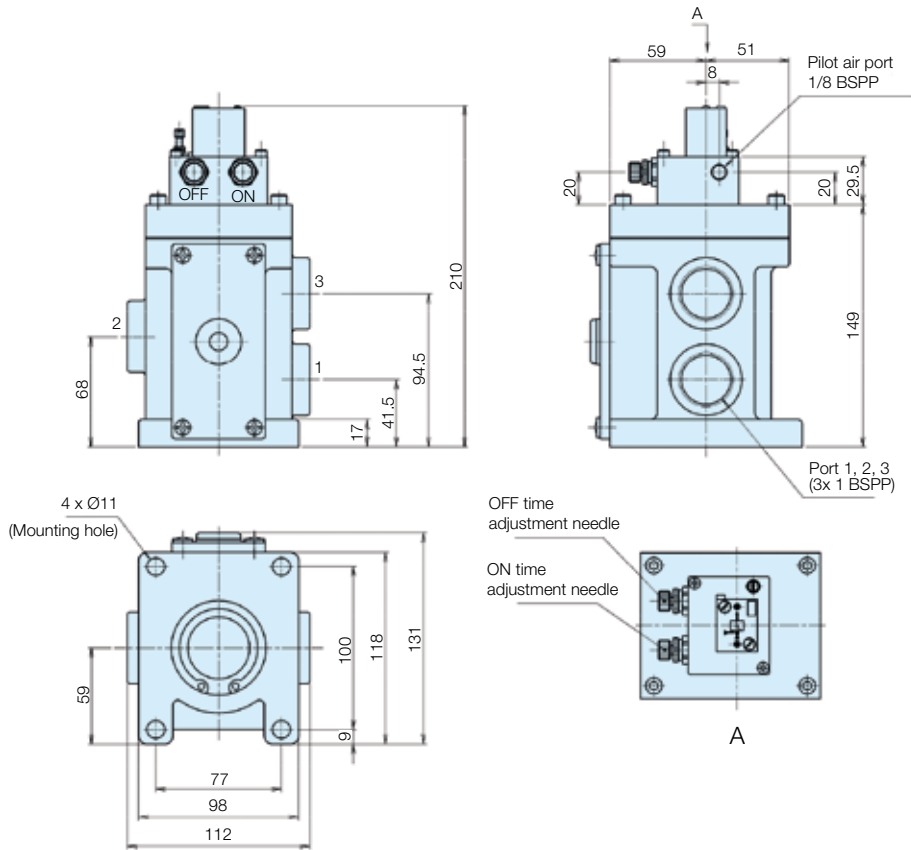
ASV2000



ASV5000



ASV13000_AA_34



ASV15000_AA_42

