

- Very fast response times
- Accurate output pressure
- Micro parameter settings
- Selectable I/O parameters
- Quick, full flow exhaust
- LED display indicates output pressure
- No air consumption in steady state
- Multiple mounting options
- Protection to IP65
- P31P flows to 19 dm³/s (40 scfm)
- P32P flows to 57 dm³/s (120 scfm)



P31PA Series
Bottom exhaust



P32PA Series
Bottom exhaust

Order Key

P 3	PA	2	1 A
Port size Global Mini (1/4") 1 Global Compact (1/2") 2		Pressure Range 0 - 2 bar Z 0 - 7 bar S 0 - 10 bar D	
Thread type BSPP 1 NPT 9		Power supply 24 volts 2	
Port size Global Mini (1/4") 2 Global Compact (1/2") 4		Control Signal 0-10 V V 4-20 mA A	
Version Bottom ported exhaust NC A Bottom ported forced exhaust (NO) * E		Output Signal Digital, PNP 1) D PNP or 0-10V 2) P NPN or 0-10V 3) N 4-20mA fixed 4) M	
		Input connector M12 (4 pin) 1	

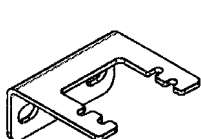
* When the supply voltage is lost the unit will automatically exhaust the regulated pressure to 0 bar (atmospheric pressure)

- 1) Digital PNP output only, no analogue output selectable
- 2) Digital PNP and analogue 0-10V outputs selectable, by means of parameter 6. (Factory default 0-10V)
- 3) Digital NPN and analogue 0-10 V outputs selectable by means of parameter 6. (Factory default 0-10V)
- 4) Analogue 4-20mA output only.

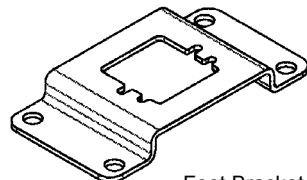
Note: On all analogue outputs the F.S. value can be adjusted by means of parameter 8

P31P Mounting brackets

Order Code	Description
P3HKA00ML	L-Bracket mounting kit
P3HKA00MC	Foot bracket mounting kit



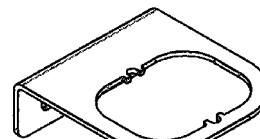
L-Bracket



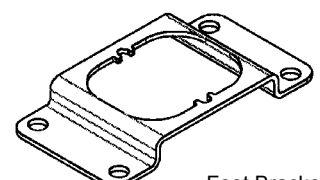
Foot Bracket

P32P Mounting brackets

Order Code	Description
P3KKA00ML	L-Bracket mounting kit
P3KKA00MC	Foot bracket mounting kit



L-Bracket



Foot Bracket

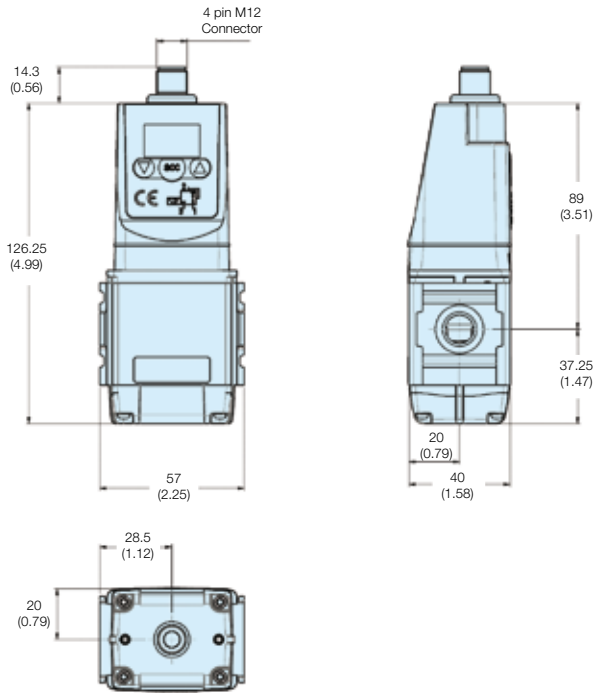
Cables

Order Code	Description
P8L-MC04A2A-M12	2 mtr. cable with moulded straight M12x1 connector
P8L-MC04R2A-M12	2 mtr. cable with moulded 90 degree M12x1 connector.

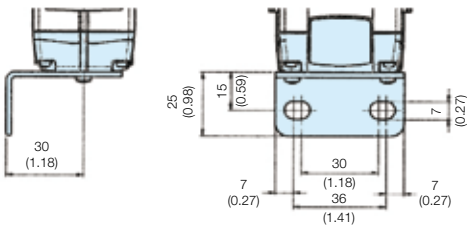
Note:

These brackets fit both Proportional Regulators and Combined Soft Start & Dump Valves.

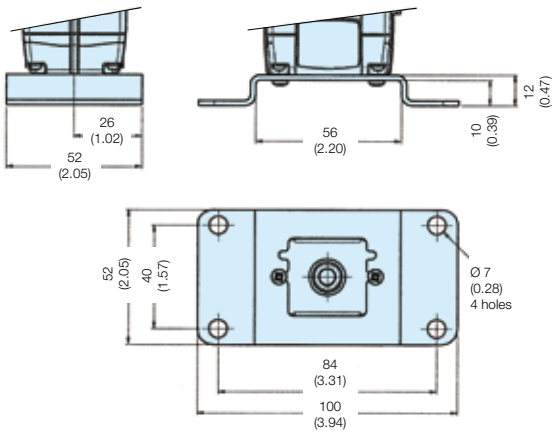
P31P



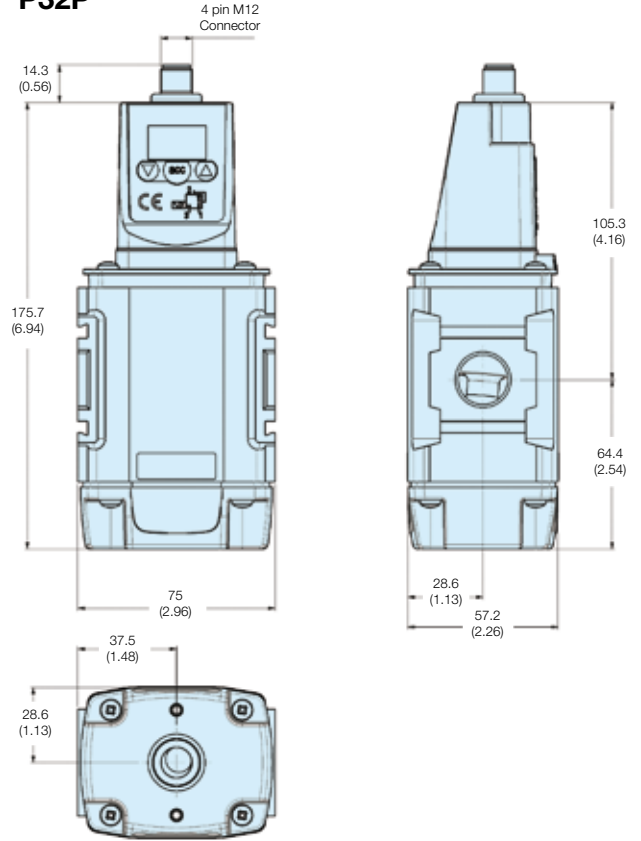
L-Bracket



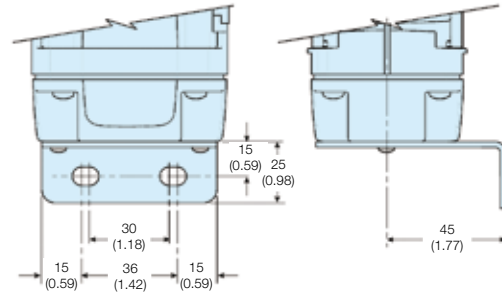
Foot Bracket



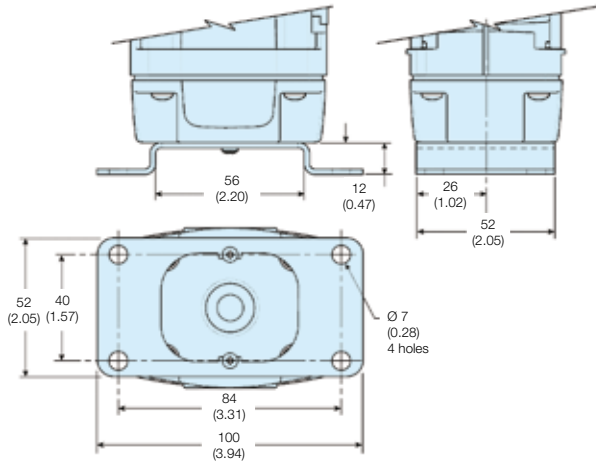
P32P



L-Bracket



Foot Bracket



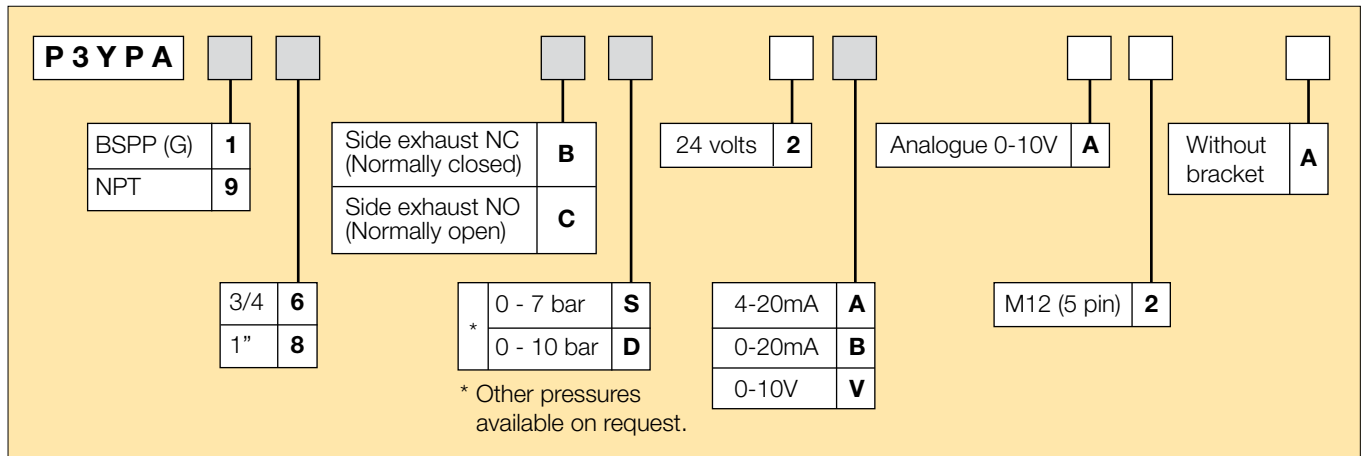
Dimensions are in mm (Inches)

P3Y Proportional Pressure Regulator



- Integral 3/4 or 1" ports (BSPP & NPT)
- Accurate output pressure
- Very fast response times
- Robust but lightweight design.

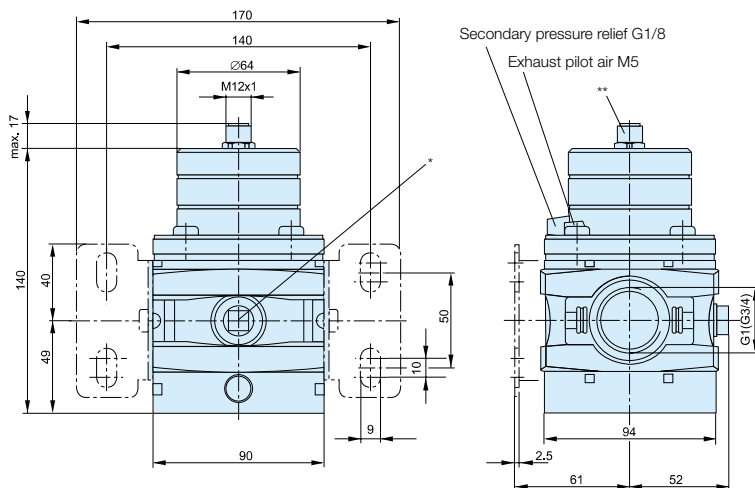
Options:



Popular options:

Port size	Description	Order Code	Control signal	Output signal	Output pressure	Weight kg
3/4	Normally closed	P3YPA16BD2VA2A	0 - 10 V	0 - 10 V	0 - 10 bar	1.2
1"	Normally closed	P3YPA18BD2VA2A	0 - 10 V	0 - 10 V	0 - 10 bar	1.2

Dimensions (mm)



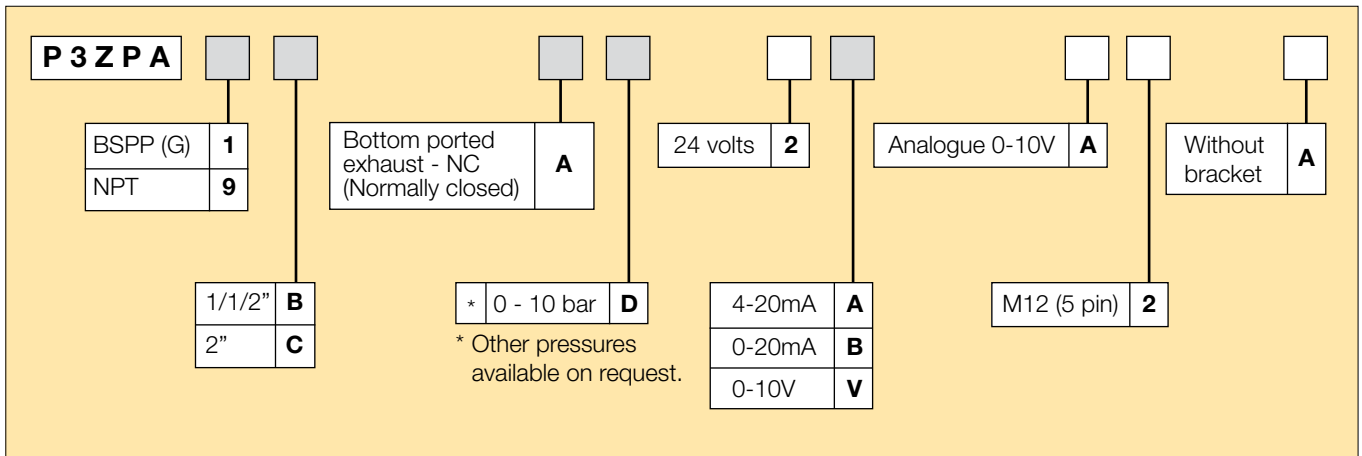
* Two opposite gauge ports G1/4, plug screw mounted
** Connection for 5-pin plug M12 x 1

P3Z Proportional Pressure Regulator



- Flanged 1-1/2" or 2" ports (BSPP & NPT)
- Accurate output pressure
- Very fast response times
- Robust die-cast aluminium construction

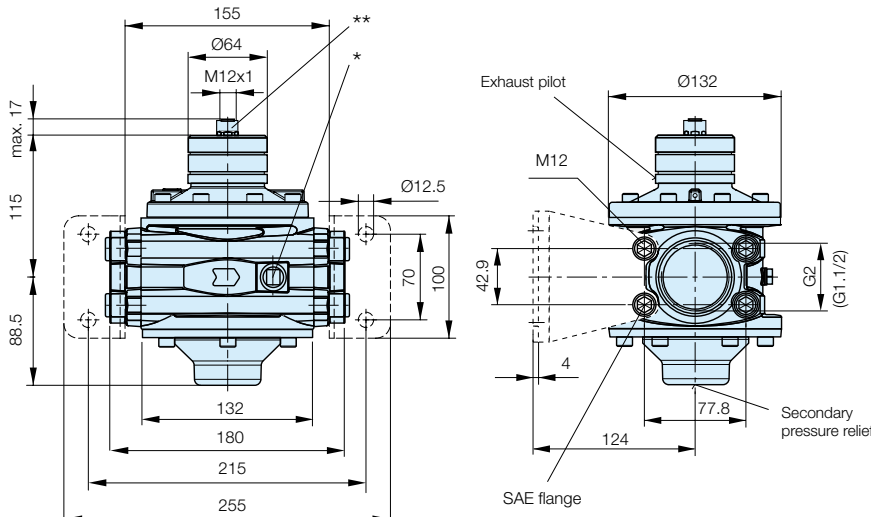
Options:



Popular options:

Port size	Description	Order Code	Control signal	Output signal	Output pressure	Weight kg
1-1/2"	Normally closed	P3ZPA1BAD2VA2A	0 - 10 V	0 - 10 V	0 - 10 bar	1.2
2"	Normally closed	P3ZPA1CAD2VA2A	0 - 10 V	0 - 10 V	0 - 10 bar	1.2

Dimensions (mm)



* Two opposite gauge ports G1/4, plug screw mounted
 ** Connection for 5-pin plug M12 x 1