



# Nano Mist

Simple. Convincing in the Details

*There are innovations that bring selective improvements.*

*And then there are real innovations.*

*Innovations that set **new** standards.*

*Like the **new Parker Moduflex Lite** series.*



## **New Nano Mist Technology, New Lubricator Concept. Self-Adjusting.**

With conventional lubricators, only the oil volume per time unit can be adjusted. If the demand changes, the quantity dispensed still remains constant.

The Moduflex Lite lubricator concept sets new benchmarks here. For the first time, the oil volume is automatically adjusted to the flow rate.

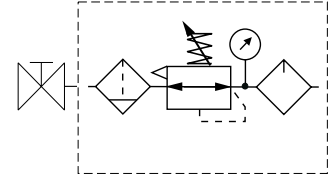
This ensures that there is neither too little nor too much oil in the system, which leads to clear economic and ecological advantages. In addition, with conventional systems, the distance between the lubricator and the equipment has to be less than 8 meters. With larger distances, the dispensed oil is deposited as a wall flow.

The new lubricator principle of the Moduflex Lite allows for distances of up to 40 meters. This opens up new scope for the design of even more efficient production systems.

Popular Combinations



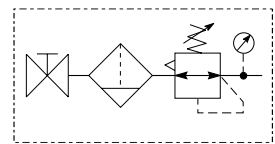
**Slide Valve + Filter/Regulator + Lubricator Combinations** (50mg/m<sup>3</sup>)  
**5 micron element, 8 bar Regulator + Gauge and Wall Mounting Brackets**



Port size	Combined Manual/Semi-Auto Drain	Flow dm <sup>3</sup> /s	Weight (g)	Auto Drain	Flow dm <sup>3</sup> /s	Weight (g)
G <sup>1</sup> / <sub>2</sub>	<b>P3XAA14GECNGPNW</b>	76	1300	<b>P3XAA14GEANGPNW</b>	76	1300
G <sup>3</sup> / <sub>4</sub>	<b>P3XAA16GECNGPNW</b>	77	1300	<b>P3XAA16GEANGPNW</b>	77	1300



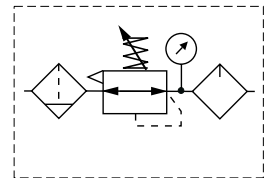
**Slide Valve + Filter/Regulator Combinations**  
**5 micron element, 8 bar Regulator + Gauge and Wall Mounting Brackets**



Port size	Combined Manual/Semi-Auto Drain	Flow dm <sup>3</sup> /s	Weight (g)	Auto Drain	Flow dm <sup>3</sup> /s	Weight (g)
G <sup>1</sup> / <sub>2</sub>	<b>P3XAN14GECNGW</b>	105	950	<b>P3XAN14GEANGW</b>	105	950
G <sup>3</sup> / <sub>4</sub>	<b>P3XAN16GECNGW</b>	106	950	<b>P3XAN16GEANGW</b>	106	950



**Filter/Regulator + Lubricator Combinations** (50mg/m<sup>3</sup>)  
**5 micron element, 8 bar Regulator + Gauge and Wall Mounting Brackets**



Port size	Combined Manual/Semi-Auto Drain	Flow dm <sup>3</sup> /s	Weight (g)	Auto Drain	Flow dm <sup>3</sup> /s	Weight (g)
G <sup>1</sup> / <sub>2</sub>	<b>P3XCA14GECNGPNW</b>	76	1000	<b>P3XCA14GEANGPNW</b>	76	1000
G <sup>3</sup> / <sub>4</sub>	<b>P3XCA16GECNGPNW</b>	77	1000	<b>P3XCA16GEANGPNW</b>	77	1000

Options:

<b>P 3 X</b>			<b>GE</b>				<b>W</b>	
Filter/Reg + Lubricator	<b>CA</b>	BSPP (G) <b>1</b>	Combined Manual/Semi Auto Drain	<b>C</b>	0 - 8 bar with gauge	<b>G</b>	0 - 16 bar with gauge	<b>J</b>
Slide valve + Filter/Reg	<b>AN</b>	NPT * <b>9</b>						
Slide valve + Filter/Reg + Lubricator	<b>AA</b>		Auto Drain	<b>A</b>				
* NPT ports on request 1/2" size only		1/2 <b>4</b>	Non rise - Standard	<b>N</b>	(50mg/m <sup>3</sup> ) <b>PN</b>	Add only for options with lubricator		
		3/4 <b>6</b>	Tamperproof - Lockable	<b>A</b>	(5mg/m <sup>3</sup> ) <b>SN</b>			

- Integral 1/2 or 3/4 ports
- High efficiency 5 micron element as standard
- Excellent water removal efficiency
- Secondary pressure ranges 4, 8 and 16 bar
- Rolling diaphragm for extended life
- Secondary aspiration plus balanced poppet provides quick response and accurate pressure regulation.
- Low temperature -40°C with Regulators/Filters and Filter Regulators using combined manual/semi auto drain as standard without pressure gauge.



### Operating information

Working pressure:	Max 16 bar
Working temperature:	-40 °C to +60 °C

### Flow characteristics

Flow dm <sup>3</sup> /s	1/2	3/4
Filter	55	57
Coalescing Filter	24	24
Adsorber Filter	18	18
Regulator	122	134
Filter Regulator	111	113
Lubricator	78	78

### Filters - 5 micron element

Port size	Description	Order Code
G1/2	Manual drain/Semi auto	<b>P3XFA14EGCN</b>
G1/2	Auto drain	<b>P3XFA14EGAN</b>
G3/4	Manual drain / Semi auto	<b>P3XFA16EGCN</b>
G3/4	Auto drain	<b>P3XFA16EGAN</b>
	Mounting bracket	<b>P3XKA00MW</b>

### Coalescing Filters - 0.01 micron element

Port size	Description	Order Code
G1/2	Coalescing 0.01µm, manual/semi auto drain	<b>P3XFA14DGCN</b>
G1/2	Coalescing Filter 0.01µm, auto drain	<b>P3XFA14DGAN</b>
G3/4	Coalescing 0.01µm, manual/semi auto drain	<b>P3XFA16DGCN</b>
G3/4	Coalescing Filter 0.01µm, auto drain	<b>P3XFA16DGAN</b>

### Regulators - 4 & 8 bar - non relieving options available

Port size	Description	Order Code
G1/2	8 bar relieving	<b>P3XRA14BNNN</b>
G1/2	8 bar relieving + gauge	<b>P3XRA14BNGN</b>
G3/4	8 bar relieving	<b>P3XRA16BNNN</b>
G3/4	8 bar relieving + gauge	<b>P3XRA16BNGN</b>
G1/2	8 bar relieving, tamperproof	<b>P3XRA14BANN</b>
G1/2	8 bar relieving, tamperproof + gauge	<b>P3XRA14BAGN</b>
G3/4	8 bar relieving, tamperproof	<b>P3XRA16BANN</b>
G3/4	8 bar relieving, tamperproof + gauge	<b>P3XRA16BAGN</b>
G1/2	Air-pilot regulator	<b>P3XRA14BPPN</b>
G3/4	Air-pilot regulator	<b>P3XRA16BPPN</b>

### Adsorber Filters

Port size	Description	Order Code
G1/2	Adsorber, manual/semi auto drain	<b>P3XFA14AGCN</b>
G3/4	Adsorber, manual/semi auto drain	<b>P3XFA16AGCN</b>

### Filter/Regulators

4 and 16 bar, non relieving options available

Port size	Description	Order Code
G1/2	8 bar, relieving manual/semi auto drain	<b>P3XEA14EGCBNNN</b>
G1/2	8 bar, relieving auto drain	<b>P3XEA14EGABNNN</b>
G1/2	8 bar, relieving manual/semi auto + gauge	<b>P3XEA14EGCBNGN</b>
G1/2	8 bar, relieving auto drain + gauge	<b>P3XEA14EGABNGN</b>
G3/4	8 bar, relieving manual/semi auto drain	<b>P3XEA16EGCBNNN</b>
G3/4	8 bar, relieving auto drain	<b>P3XEA16EGABNNN</b>
G3/4	8 bar, relieving manual/semi auto + gauge	<b>P3XEA16EGCBNGN</b>
G3/4	8 bar, relieving auto drain + gauge	<b>P3XEA16EGABNGN</b>

### Lubricators

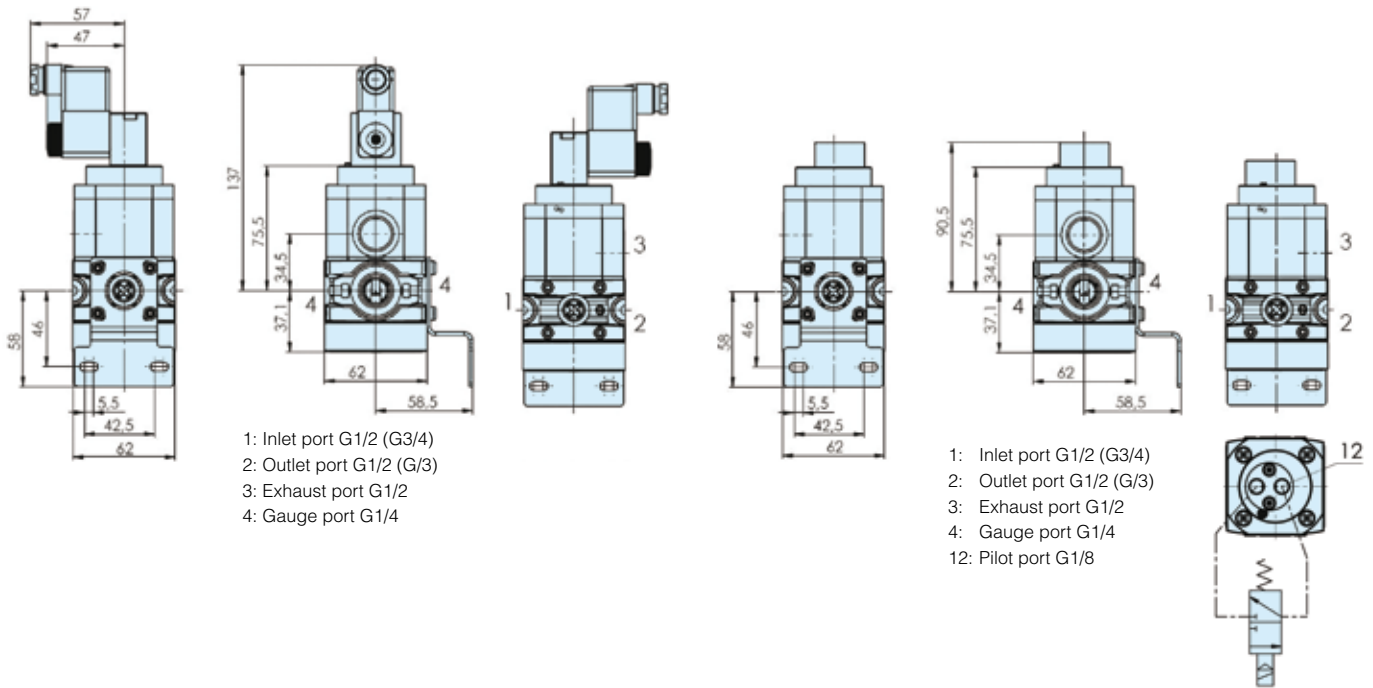
Port size	Description	Order Code
G1/2	Oil mist, fill under pressure (50mg/m <sup>3</sup> )	<b>P3XLA14PGNN</b>
G3/4	Oil mist, fill under pressure (50mg/m <sup>3</sup> )	<b>P3XLA16PGNN</b>
G1/2	Oil mist, fill under pressure (5mg/m <sup>3</sup> )	<b>P3XLA14SGNN</b>
G3/4	Oil mist, fill under pressure (5mg/m <sup>3</sup> )	<b>P3XLA16SGNN</b>
	Lubricator OIL VG15:ISO3448 - 100ml	<b>P3XKA00PPA</b>
	Lubricator OIL VG32-1 Litre	<b>P3YKA00PPBB</b>

### Pressure Gauges

	Order Code
0 - 10 bar	<b>KG8012-00</b>
0 - 16 bar	<b>KG8013-00</b>



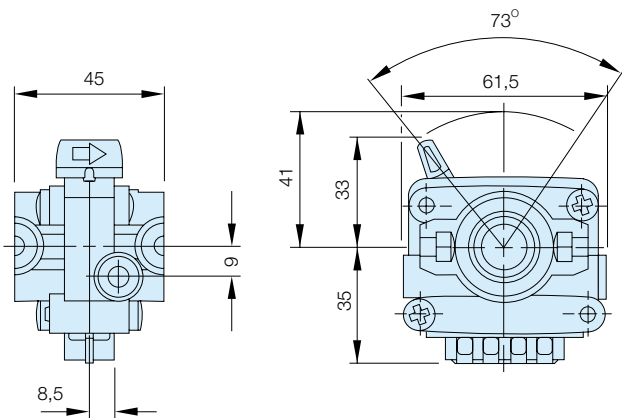
**Dimensions (mm)**



**Modular Slide Valve**

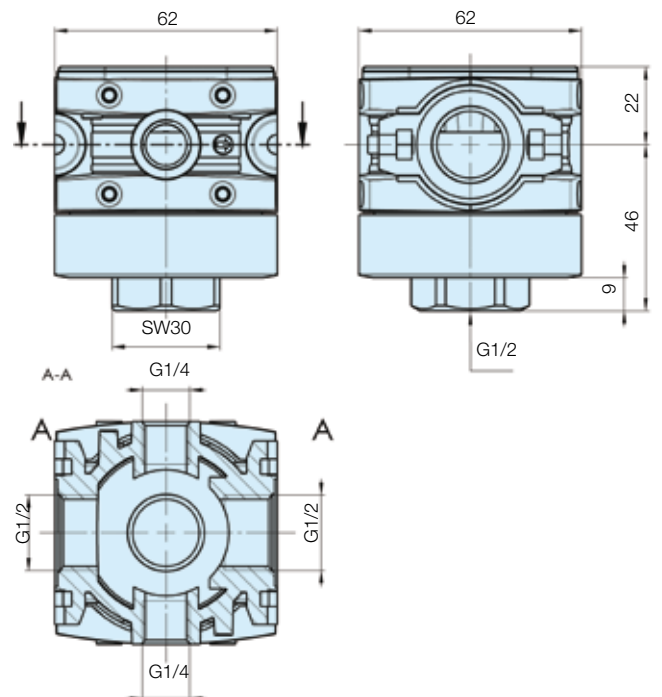
<b>P 3 X</b>	<b>VA</b>			<b>LSN</b>
BSPP (G)	<b>1</b>	G1/2	<b>4</b>	
NPT *	<b>9</b>	G3/4	<b>6</b>	

\* NPT ports on request (1/2" size only)



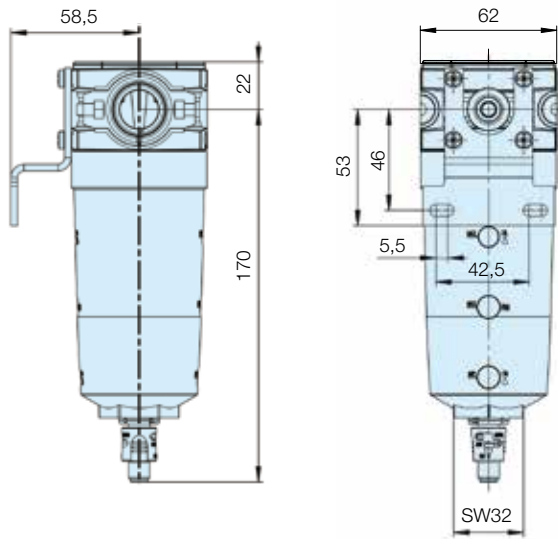
**Modular Manifold**

Description	Order code	Order code	Weight (g)
	BSPP	NPT	
G1/2"	<b>P3XMA1V0N</b>	<b>P3XMA9V0N</b>	170
G3/4"	<b>P3XMA160N</b>		170

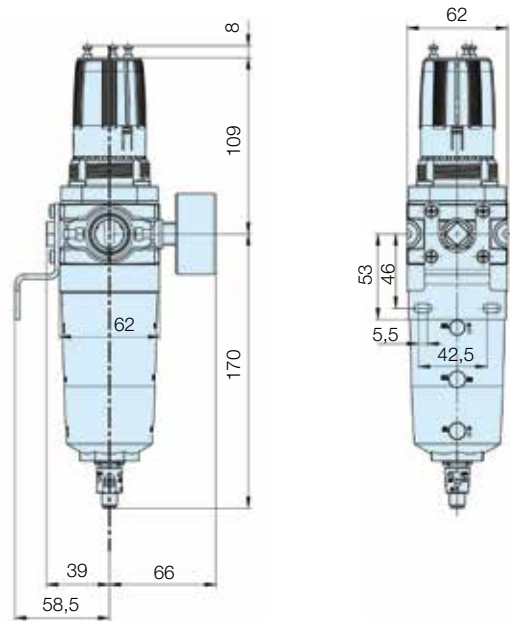


**Dimensions (mm)**

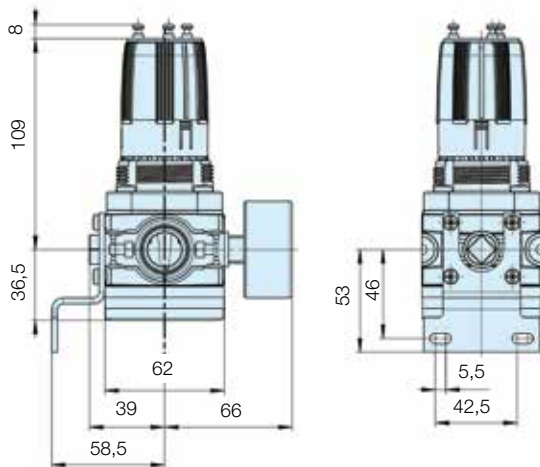
**Filters**



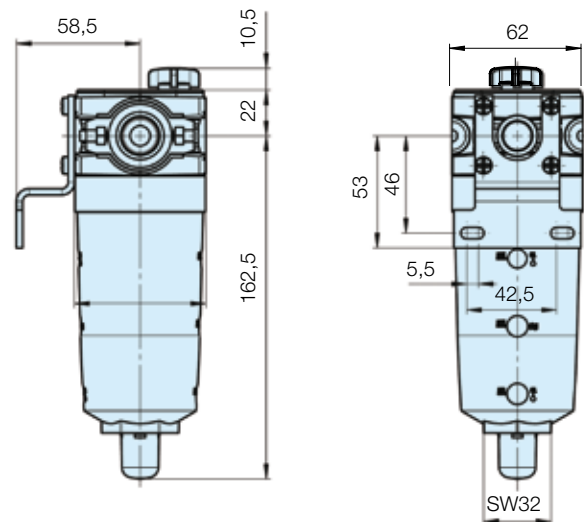
**Filter/Regulators**



**Regulators**



**Lubricators**



**Service kits**

Description	Order code
Adsorber element kit	<b>P3XKA00ESA</b>
0.01 micron element kit	<b>P3XKA00ESC</b>
1 micron element kit	<b>P3XKA00ES9</b>
5 micron element kit	<b>P3XKA00ESE</b>
40 micron element kit	<b>P3XKA00ESG</b>
Bowl kit with combined manual/semi auto drain	<b>P3XKA00BSC</b>
Bowl kit with auto drain	<b>P3XKA00BSA</b>
Diaphragm kit (relieving type)	<b>P3XKA00RR</b>
Diaphragm kit (non-relieving type)	<b>P3XKA00RN</b>
Connecting kit	<b>P3XKA00CB</b>

**Accessories**

Description	Order code
Connector kit	<b>P3XKA00CB</b>
Connector O'ring kit (5)	<b>P3XKA04CY</b>
Tamper-proof knob kit (keylock)	<b>P3XKA00AS</b>
Wall bracket kit	<b>P3XKA00MW</b>
Panel mount nut	<b>P3XKA00MM</b>