

Designed to fit the standard electrical Ø22mm knock out, they can provide dual pneumatic and electrical output signals. A variety of button and switch actuators are available.

- Facia mounted operation
- 3/2 NO or NC
- Modular construction
- Wide range of actuators
- Dual pneumatic and electrical output signal



 **For ATEX specific products contact Sales Office**

Flow characteristics

| | |
|-----------------|------------------------------------|
| PXB-B3•• | Qmax = 60 l/min Qn = 30 l/min |
| PXB-B4•• | Qmax = 240 l/min Qn = 120 l/min |
| Connections | Ø 4 mm push-in |

Operating information

| | |
|---|----------------|
| Push button valves - Visual indicators | |
| Working pressure | |
| PXB-B3•• | 1 to 9 bar |
| PXB-B4•• | 1 to 10 bar |
| PXV-•• | 1 to 8 bar |
| Working temperature | -15°C to +60°C |
| ATEX approval: | CE Ex II 3 GD |

Spring return push buttons

| Symbol | Flow | Order code |
|--------|-----------|---------------------|
| | 60 l/min | PXB-B3111BA2 |
| | 240 l/min | PXB-B4131BA2 |

Black - With 1 NC valve

| Symbol | Flow | Order code |
|--------|-----------|---------------------|
| | 60 l/min | PXB-B3111BA4 |
| | 240 l/min | PXB-B4131BA4 |

Red - With 1 NC valve

| Symbol | Flow | Order code |
|--------|-----------|---------------------|
| | 60 l/min | PXB-B3111BA3 |
| | 240 l/min | PXB-B4131BA3 |

Green - With 1 NC valve

Mushroom head push buttons

| Symbol | Flow | Order code |
|--------|-----------|---------------------|
| | 60 l/min | PXB-B3111BC2 |
| | 240 l/min | PXB-B4131BC2 |

Black - Spring return - With 1 NC valve

| Symbol | Flow | Order code |
|--------|-----------|---------------------|
| | 60 l/min | PXB-B3111BT4 |
| | 240 l/min | PXB-B4131BT4 |

Red - Latching - With 1 NC valve

Selector switches

| Symbol | Flow | Order code |
|--------|-----------|---------------------|
| | 60 l/min | PXB-B3111BD2 |
| | 240 l/min | PXB-B4131BD2 |

Black - 2 positions - With 1 NC valve

Additional switch valves, electrical contact block and mounting brackets

| Symbol | Flow | Order code |
|--------|-----------------|------------------|
| | 60 l/min NC | PXB-B3911 |
| | 240 l/min NC | PXB-B4931 |
| | 60 l/min NO | PXB-B3921 |
| | 240 l/min NO | PXB-B4931 |
| | 60 l/min NC | PXB-B3912 |
| | 60 l/min NO | PXB-B3922 |

| Symbol | Flow | Order code |
|--------|----------------|-------------------|
| | 60 l/min NC | PXB-B3111B |
| | 60 l/min NO | PXB-B3121B |

| Contact | Order code |
|-----------------------|----------------|
| Normally open NO | ZBE-101 |
| Normally closed NC | ZBE-102 |

All PXB-B4 valves can be connected either as normally closed 3/2 valve (NC) or normally open 3/2 valve (NO) as required, by connecting the primary air supply to port 1 or port 3.

| Description | Order code |
|----------------|------------------|
| Mounting block | ZB4-BZ009 |

Spring return push buttons

| Spring return | Colour | Order code |
|---------------|--------|----------------|
| | Black | ZB4-BA2 |
| | Green | ZB4-BA3 |
| | Red | ZB4-BA4 |

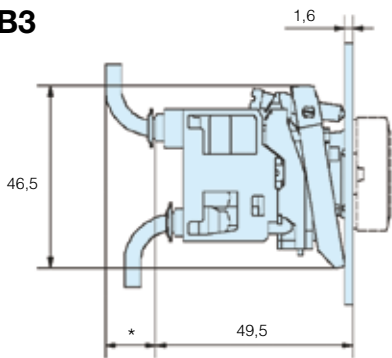
| Mushroom head | Colour | Order code |
|---------------|-------------------------|----------------|
| | Black | ZB4-BC2 |
| | Green | ZB4-BC3 |
| | Red | ZB4-BC4 |
| | Ø40 mm spring return | |

Selector switches

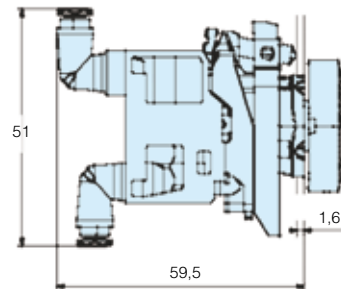
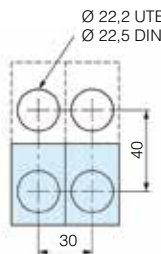
| Black handle | Function | Order code |
|--------------|-------------------|----------------|
| | 2 positions fixed | ZB4-BD2 |
| | 3 positions fixed | ZB4-BD3 |

| Visual indicators | Colour actuated | Colour unactuated | Order code |
|-------------------|-----------------|-------------------|------------------|
| | Green | Black | PXV-F131 |
| | Red | Black | PXV-F141 |
| | Yellow | Black | PXV-F151 |
| | Blue | Black | PXV-F161 |
| | White | Black | PXV-F111 |
| | Green | Red | PXV-F1314 |

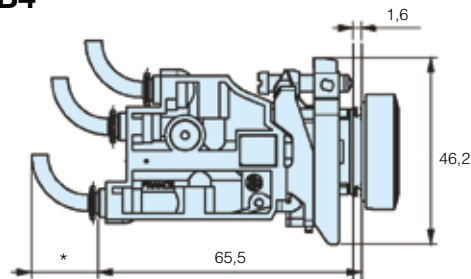
PXB-B3



Body width 30mm
 * With 2 x 4mm tube = 10
 With 2,7 x 4mm tube = 15



PXB-B4



Body width 30mm
 * With 2 x 4mm tube = 10
 With 2,7 x 4mm tube = 15

